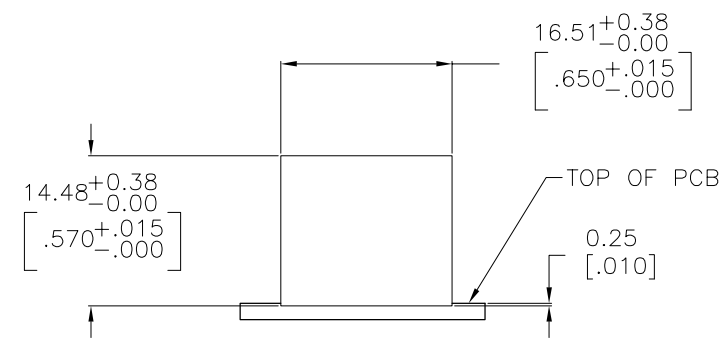
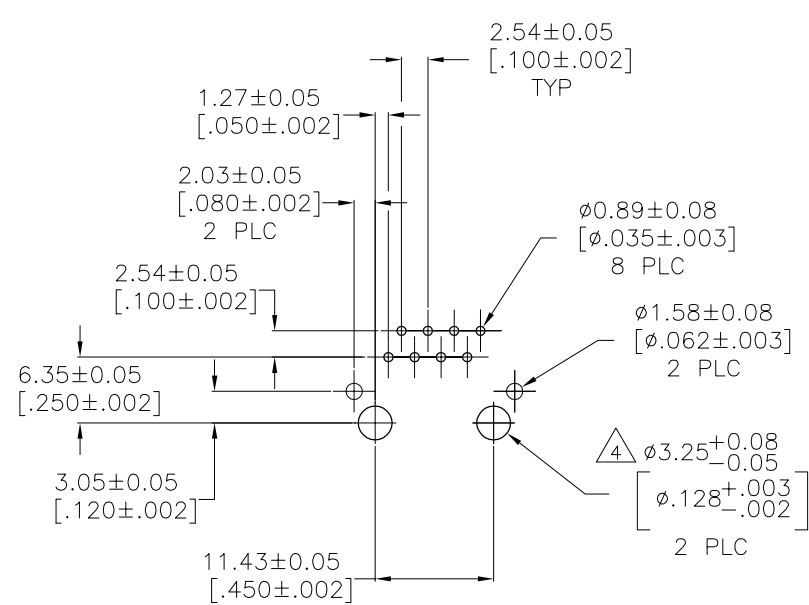


- MATERIAL: HOUSING - NYLON, COLOR: BLACK, UL 94V-0. OVERMOLDED TERMINAL ARRAY - PBT, BROWN. TERMINALS - 0.33[.013] THICK PHOS BRONZE PLATED WITH 1.27um[.000050] MINIMUM HARD GOLD IN LOCALIZED AREA AND 3.81um[.000150] MINIMUM TIN IN SOLDER AREA OVER 1.27um[.000050] MINIMUM NICKEL UNDERPLATE. SHIELD - 0.254[.010] THICK COPPER ALLOY PLATED WITH 1.27um[.000050] MINIMUM NICKEL AND 2.03um[.000080] MINIMUM HOT TIN DIP ON PCB GROUND TABS.
- JACK CAVITY CONFORMS TO FCC RULES AND REGULATIONS, PART 68 SUBPART F.
- ALL DIMENSIONS SHOWN ARE NOMINAL UNLESS OTHERWISE SPECIFIED.
- USE #30 DRILL BIT OR 3.25mm DRILL BIT WHEN PRODUCING THESE PCB HOLES.
- DIELECTRIC WITHSTANDING VOLTAGE BETWEEN SHIELD AND TERMINAL IS 1500 VAC



RECOMMENDED PC BOARD LAYOUT
 COMPONENT SIDE

RECOMMENDED PANEL CUTOUT

6116526-1
 PART NUMBER

THIS DRAWING IS A CONTROLLED DOCUMENT.		DATE: 13JAN2009	BY: L. VARELA - 13JAN2009	APP'D: S. WESTMAN - 13JAN2009	NAME: S. FLOCKINGER	PRODUCT SPEC: 108-1163-2	APPLICATION SPEC: 114-2048	SIZE: A1	SCALE: 4:1	SHEET: 1 of 1	REV: B2
DIMENSIONS: mm [INCHES]		TOLERANCES UNLESS OTHERWISE SPECIFIED:		MATERIAL:		FINISH:		WEIGHT:		RESTRICTED TO:	
0 PLC	± .00	± .00		114-2048		-		-		-	
1 PLC	± .01	± .01		-		-		-		-	
2 PLC	± 0.25(.01)	± 0.13(.005)		-		-		-		-	
3 PLC	± 0.13(.005)	± .00		-		-		-		-	
4 PLC	± .00	± .00		-		-		-		-	